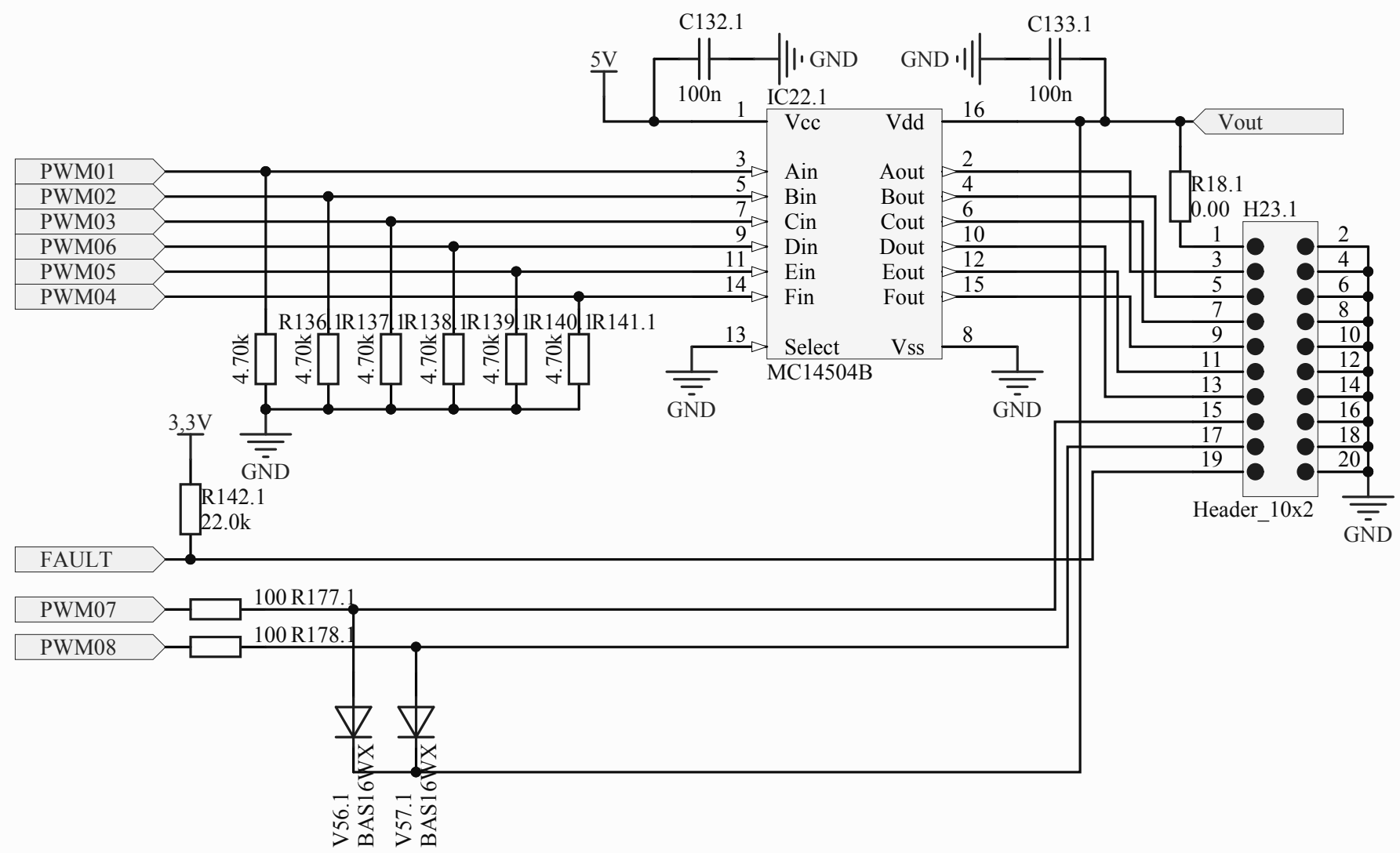
 Regional Innovation Centre for Electrical Engineering Univerzitni 26 306 14 Pízen Czech Republic	Size: A3	Date: 5.8.2014	Title: <b>MLC module - PWM</b>	
	Author: Tomas Kosan	Subtitle: <b>Main IO connectors and holes</b>		
	Checked by: [NAME]	Nr.: 1	Revision: 0.1	
	Approved by: [NAME]	Type: schematic	Sheet 1 of 1	
File: MLC module PWM.SchDoc		Note: Data in fields enter via project/document parameters.		



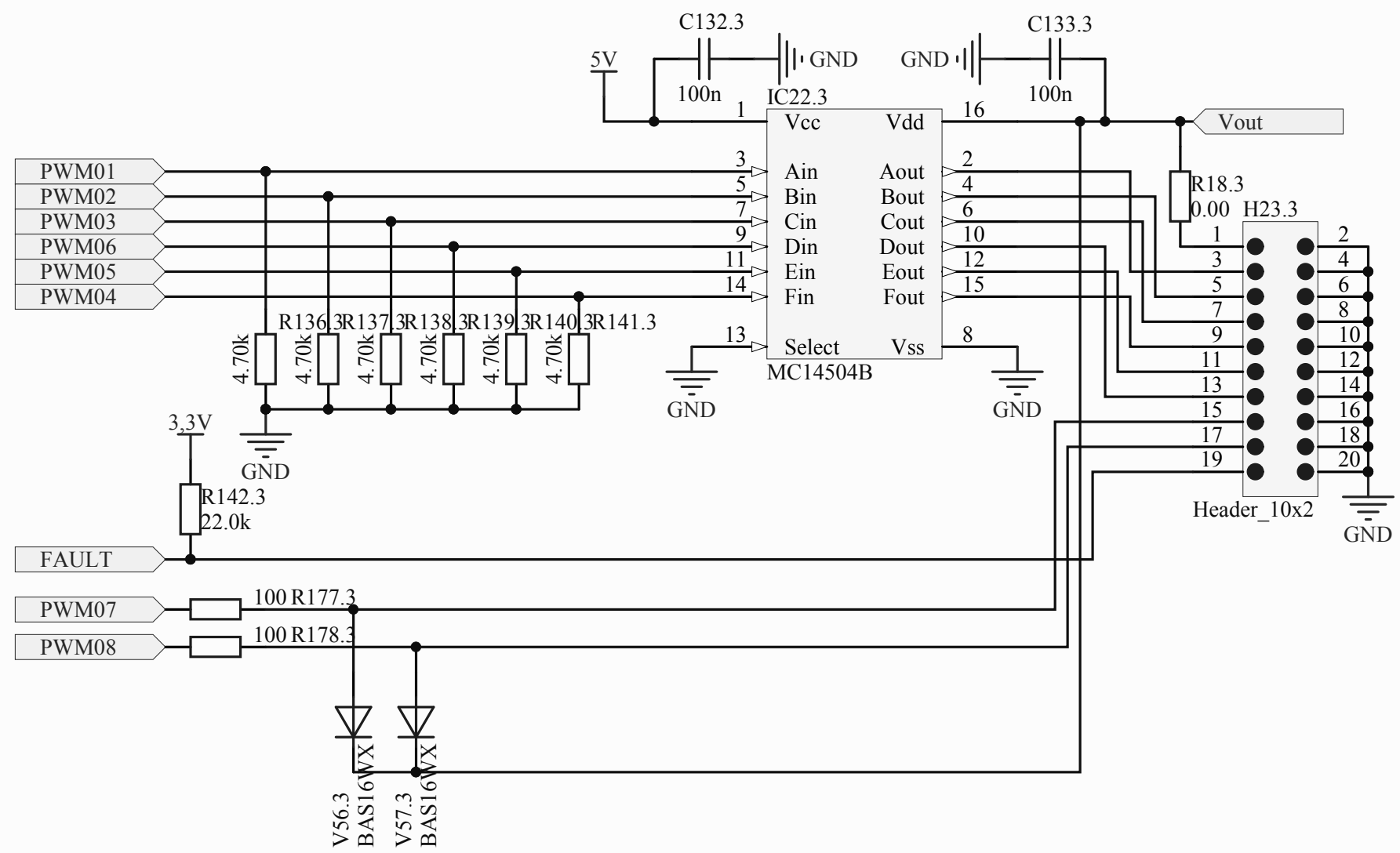


Regional Innovation Centre for Electrical Engineering  
Univerzitni 26 306 14 Plzen Czech Republic

Size: A4	Date: 5.8.2014	Title: SCH_title	
Author: Tomáš Košan	Subtitle: [SUBTITLE]		
Checked by: LiPo, MaJa	Nr.: 1	Revision: 0.1	
Approved by: Z. Peroutka	Type: typ	Sheet 1 of 1	
File: PWM_level_shifter_6ch.SchDoc			

Note: Data in fields enter via project/document parameters.





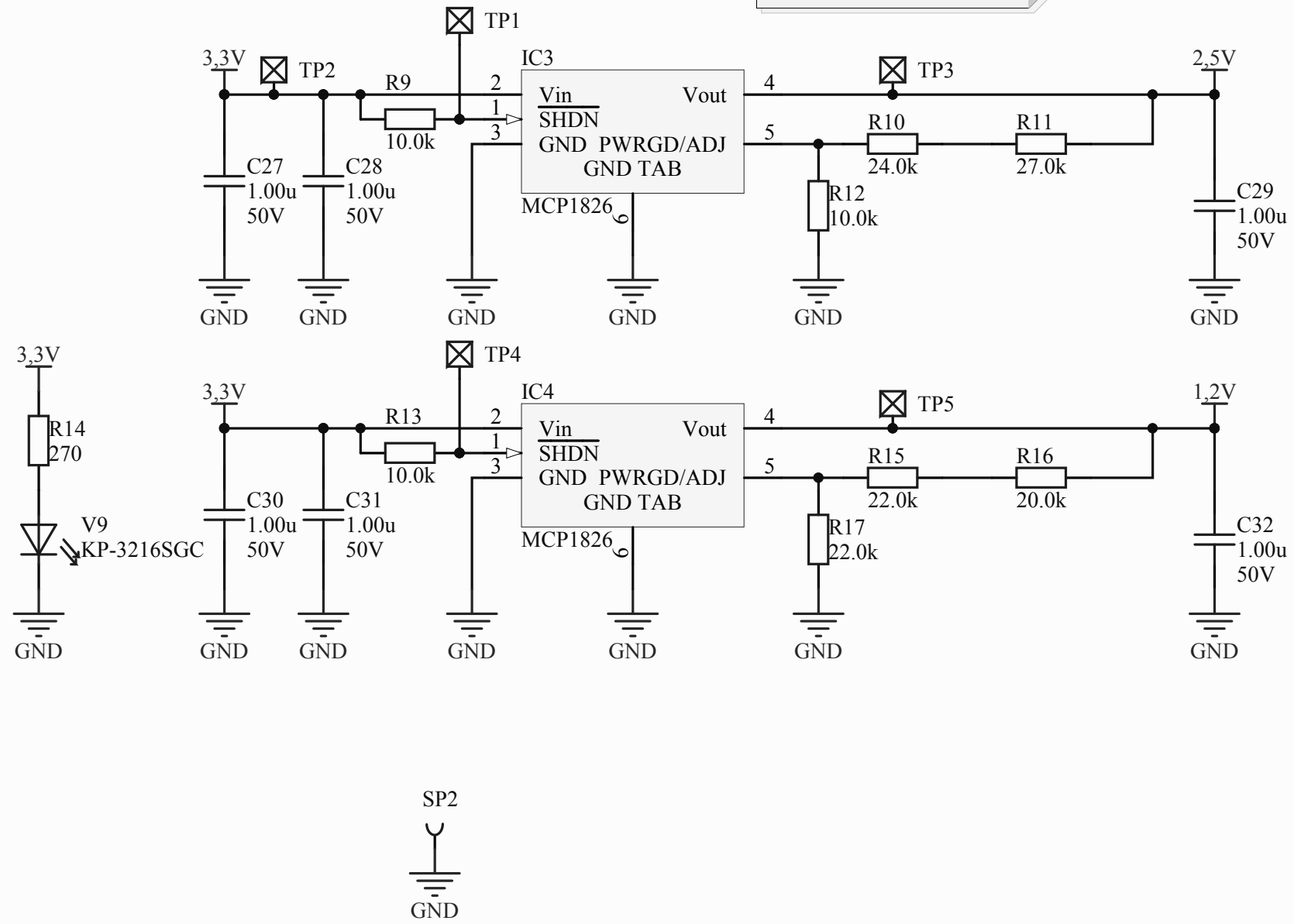
Regional Innovation Centre for Electrical Engineering  
Univerzitni 26 306 14 Plzen Czech Republic

Size: A4	Date: 5.8.2014	Title: SCH_title	
Author: Tomáš Košan	Subtitle: [SUBTITLE]		
Checked by: LiPo, MaJa	Nr.: 1	Revision: 0.1	
Approved by: Z. Peroutka	Type: typ	Sheet 1 of 1	
File: PWM_level_shifter_6ch.SchDoc			

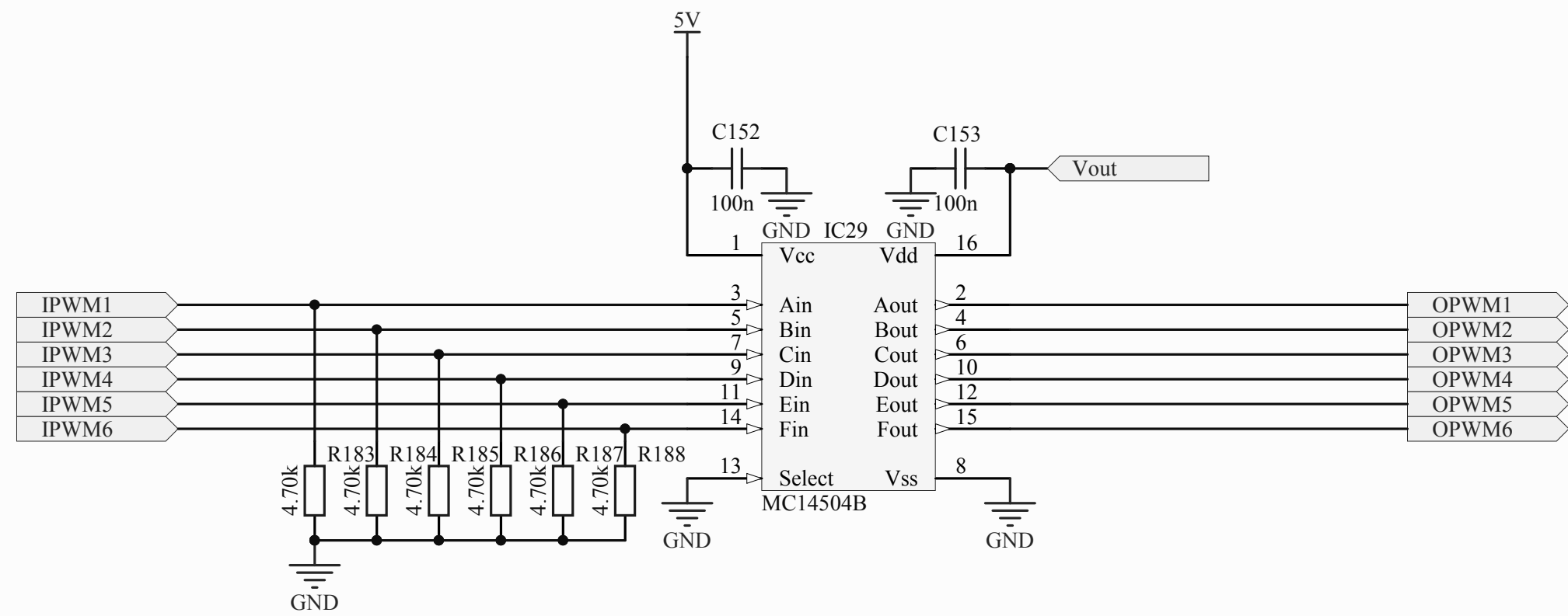
Note: Data in fields enter via project/document parameters.

$$V_{ref} = 0.41V$$

$$V_{out} = V_{ref} * ((R1+R2)/R1)$$



Size: A4	Date: 5.8.2014	Title: SCH_title	
Author: Tomáš Košan	Subtitle: Power source 2V5 and 1V2		
Checked by: LiPo, MaJa	Nr.: 1	Revision: 0.1	
Approved by: Z. Peroutka	Type: typ	Sheet * of *	
File: Power_source.SchDoc			



Size: A4	Date: 5.8.2014	Title: SCH_title	
Author: Tomáš Košan	Subtitle: [SUBTITLE]		
Checked by: LiPo, MaJa	Nr.: 1	Revision: 0.1	
Approved by: Z. Peroutka	Type: typ	Sheet * of *	
File: PWM_level_shifter_universal.SchDoc			

Note: Data in fields enter via project/document parameters.